

# Textile slings — Safety —

## Part 1: Flat woven webbing slings, made of man-made fibres, for general purpose use

The European Standard EN 1492-1:2000 has the status of a  
British Standard

ICS 53.020.30

**NO COPYING WITHOUT BSI PERMISSION EXCEPT AS PERMITTED BY COPYRIGHT LAW**



## National foreword

This British Standard is the official English language version of EN 1492-1:2000.

The UK participation in its preparation was entrusted to Technical Committee MHE/15, Textile slings, which has the responsibility to:

- aid enquirers to understand the text;
- present to the responsible European committee any enquiries on the interpretation, or proposals for change, and keep the UK interests informed;
- monitor related international and European developments and promulgate them in the UK.

A list of organizations represented on this committee can be obtained on request to its secretary.

### Cross-references

The British Standards which implement international or European publications referred to in this document may be found in the BSI Standards Catalogue under the section entitled “International Standards Correspondence Index”, or by using the “Find” facility of the BSI Standards Electronic Catalogue.

A British Standard does not purport to include all the necessary provisions of a contract. Users of British Standards are responsible for their correct application.

### Additional information

In the UK, the Lifting Operations and Lifting Equipment Regulations 1998 (LOLER) require that accessories for lifting are thoroughly examined by a competent person at either 6 month intervals, or in accordance with a scheme of examination drawn up by a competent person.

**Compliance with a British Standard does not of itself confer immunity from legal obligations.**

### Summary of pages

This document comprises a front cover, an inside front cover, the EN title page, pages 2 to 31 and a back cover.

The BSI copyright notice displayed in this document indicates when the document was last issued.

This British Standard, having been prepared under the direction of the Engineering Sector Committee for, was published under the authority of the Standards Committee and comes into effect on 15 September 2000

© BSI 09-2000

ISBN 0 580 36477 1

### Amendments issued since publication

Amd. No.	Date	Comments

EUROPEAN STANDARD

EN 1492-1

NORME EUROPÉENNE

EUROPÄISCHE NORM

July 2000

ICS 53.020.30

English version

## Textile slings - Safety - Part 1: Flat woven webbing slings, made of man-made fibres, for general purpose use

Elingues textiles - Sécurité - Partie 1: Elingues plates en sangles tissées, en textiles chimiques, d'usage courant

Textile Anschlagmittel - Sicherheit - Teil 1: Flachgewebte Hebebänder aus Chemiefasern für allgemeine Verwendungszwecke

This European Standard was approved by CEN on 25 June 2000.

CEN members are bound to comply with the CEN/CENELEC Internal Regulations which stipulate the conditions for giving this European Standard the status of a national standard without any alteration. Up-to-date lists and bibliographical references concerning such national standards may be obtained on application to the Central Secretariat or to any CEN member.

This European Standard exists in three official versions (English, French, German). A version in any other language made by translation under the responsibility of a CEN member into its own language and notified to the Central Secretariat has the same status as the official versions.

CEN members are the national standards bodies of Austria, Belgium, Czech Republic, Denmark, Finland, France, Germany, Greece, Iceland, Ireland, Italy, Luxembourg, Netherlands, Norway, Portugal, Spain, Sweden, Switzerland and United Kingdom.



EUROPEAN COMMITTEE FOR STANDARDIZATION  
COMITÉ EUROPÉEN DE NORMALISATION  
EUROPÄISCHES KOMITEE FÜR NORMUNG

Central Secretariat: rue de Stassart, 36 B-1050 Brussels

© 2000 CEN All rights of exploitation in any form and by any means reserved worldwide for CEN national Members.

Ref. No. EN 1492-1:2000 E

## Contents

Page

Introduction	4
1 Scope	4
2 Normative references	4
3 Terms and definitions	5
4 Hazards	7
5 Safety requirements	8
6 Verification of safety requirements	14
7 Marking	16
8 Manufacturer's certificate	18
9 Instructions for use	19
Annex A (normative) Methods of test to verify safety requirements	20
Annex B (normative) Information for use and maintenance to be provided by the manufacturer	22
Annex C (informative) Guidance to the manufacturer for the conduct of type testing to verify the interaction of the sewn webbing component with fittings for sling type C/Cr in accordance with A.4	24
Annex D (informative) Suggested content of information to be provided by the manufacturer with flat woven webbing slings	25
Annex Z (informative) Clauses of this European Standard addressing essential requirements or other provisions of EU-Directives	30
Bibliography	31

## Foreword

This European Standard has been prepared by Technical Committee CEN/TC 168, Chains, ropes, webbing, slings and accessories - Safety, the Secretariat of which is held by BSI.

This European Standard shall be given the status of a national standard, either by publication of an identical text or by endorsement, at the latest by January 2001, and conflicting national standards shall be withdrawn at the latest by January 2001.

This European Standard has been prepared under a mandate given to CEN by the European Commission and the European Free Trade Association, and supports essential requirements of EU Directive(s).

According to the CEN/CENELEC Internal Regulations, the national standards organizations of the following countries are bound to implement this European Standard: Austria, Belgium, Czech Republic, Denmark, Finland, France, Germany, Greece, Iceland, Ireland, Italy, Luxembourg, Netherlands, Norway, Portugal, Spain, Sweden, Switzerland and the United Kingdom.

This European Standard is one of a series of standards related to safety for textile slings as listed below:

Part 1: Specification for flat woven webbing slings, made of man-made fibres, for general purpose use.

Part 2: Specification for roundslings, made of man-made fibres, for general purpose use.

Part 4: Specification for lifting slings for general service made from natural and man-made fibre rope.

This is the first edition of this part of EN 1492.

In this standard:

Annex A is normative and gives the test methods to be used to verify the safety requirements.

Annex B is normative and gives the requirements for information on use and maintenance to be provided by the manufacturer with flat woven webbing slings conforming to this European Standard.

Annex C is informative and gives guidance for the conduct of type tests in accordance with annex A.

Annex D is informative and provides some detailed information for use and maintenance which may be appropriate in compiling the information in accordance with annex B.

Annex Z is informative and gives the relationship with EU Directives.

## Introduction

This European Standard has been prepared to be a harmonized standard providing one means of complying with the essential safety requirements of the Machinery Directive and associated EFTA regulations.

This European Standard is a type C standard as specified in EN 292. The lifting accessories concerned and the extent to which hazards are covered is indicated in the scope of this standard.

NOTE For hazards that are not covered by this standard, lifting accessories should be in accordance with EN 292.

## 1 Scope

This European Standard specifies the requirements related to safety, including methods of rating and testing single-, two-, three-, four-leg and endless sewn flat woven webbing slings, with or without fittings, made of polyamide, polyester and polypropylene man-made fibre webbing in the width range of 25 mm to 450 mm inclusive.

The flat woven webbing slings covered by this part of EN 1492 are intended for general purpose lifting operations, i.e. when used for lifting objects, materials or goods which require no deviations from the requirements, safety factors or working load limits specified. Lifting operations not covered by this standard would include the lifting of persons, potentially dangerous materials such as molten metal and acids, glass sheets, fissile materials, nuclear reactors and where special conditions apply.

Flat woven webbing slings conforming to this European Standard are suitable for use and storage in the following temperature ranges:

- a) polyester and polyamide –40 °C to 100 °C;
- b) polypropylene –40 °C to 80 °C.

This European Standard does not apply to the types of webbing sling indicated below:

- a) slings such as bag slings, nets (consisting of several crossed webbings stitched together), 'adjustable' slings (containing, for example, intermediate buckles stitched along the webbing), etc.;
- b) slings made from webbing woven from monofilament yarns;
- c) slings designed for pre-slinging and intended not to be re-used.

This European Standard deals with the technical requirements to minimize the hazards listed in clause 4 which can arise during the use of flat woven webbing slings when carried out in accordance with the instructions and specifications given by the manufacturer or authorized representative.

## 2 Normative references

This European Standard incorporates by dated or undated reference, provisions from other publications. These normative references are cited at the appropriate places in the text and the publications are listed hereafter. For dated references, subsequent amendments to or revisions of any of these publications apply to this European Standard only when incorporated in it by amendment or revision. For undated references the latest edition of the publication referred to applies (including amendments).

EN 292-2:1991/A1:1995 Safety of machinery - Basic concepts, general principles for design - Part 2: Technical principles and specifications.

EN 1050:1996 Safety of machinery - Principles of risk assessment.

prEN 1677-1:2000 Components for slings – Safety - Part 1: Forged steel components, Grade 8.

prEN 1677-2:2000	Components for slings – Safety - Part 2: Forged steel lifting hooks with latch, Grade 8.
prEN 1677-3:1998	Components for slings – Safety - Part 3: Forged steel self-locking hooks, Grade 8.
prEN 1677-4:1998	Components for slings – Safety - Part 4: Links, Grade 8.
prEN 1677-5:1998	Components for slings – Safety - Part 5: Forged steel lifting hooks with latch, Grade 4.
prEN 1677-6:1998	Components for slings – Safety - Part 6: Links, Grade 4.
EN 10002-2:1991	Metallic materials - Tensile testing - Part 2: Verification of the force measuring system of the tensile testing machines.
EN 45012	General requirements for bodies operating assessment and certification/registration of quality systems (ISO/IEC Guide 62:1996).
EN ISO 5084:1996	Textiles - Determination of thickness of textiles and textile products (ISO 5084:1996).
EN ISO 9002	Quality systems - Model for quality assurance in production, installation and servicing (ISO 9002:1994).

### 3 Terms and definitions

For the purposes of this standard, the following terms, definitions, symbols and abbreviations apply.

#### 3.1

##### **flat woven webbing sling**

flexible sling consisting of a sewn webbing component, with or without fittings (see Table 2), for attaching loads to the hook of a crane or other lifting machine

#### 3.2

##### **multi-layer sling**

flat woven webbing sling, the sewn webbing component or components of which consist of two or more layers of identical webbings superimposed in the lengthwise direction (see Table 2)

#### 3.3

##### **multi-leg sling assembly**

flat woven webbing sling assembly, consisting of two, three or four identical flat woven webbing slings attached to a master link (see Table 3)

#### 3.4

##### **representative sling/representative sewn webbing component**

flat woven webbing sling, or the sewn webbing component of a flat woven webbing sling, representative of each type or construction of sling, which is used for verification purposes (see 6.2. and 6.3)

NOTE This may differ from the production sling/sewn webbing component in length only

#### 3.5

##### **seam**

method of securing the webbing to itself, securing several webbings to each other, or securing reinforcements to the webbing by means of stitches produced by the thread traversing the layers

### 3.6

#### **closed surface**

webbing surface which, when visually and manually examined, appears closed, as is the case following thermofixing or colouring with additional substances, and where the single fibres support each other

### 3.7

#### **eye**

termination of a sewn webbing component, produced by turning the end of the webbing through 180° and securing it to the standing part of the webbing by a loadbearing seam, so forming a terminal soft eye or attaching a terminal fitting

### 3.8

#### **soft eye**

terminal eye of a sewn webbing component so formed as to allow reeving, the attachment of removable fittings or connection to the hook of a crane, other lifting machine or lifting accessory

### 3.9

#### **fitting**

loadbearing metal component, supplied as part of a sling and which is used to terminate the sling so as to allow it to be reeved, attached to other lifting accessories, connected to other flat woven webbing slings to form a multi-leg sling assembly or connected to the hook of a crane or other lifting machine

### 3.10

#### **master link**

link, or link assembly, forming the upper terminal fitting of a multi-leg sling assembly by means of which the sling assembly is attached to the hook of a crane, other lifting machine or lifting accessory

### 3.11

#### **nominal length**

specified length of the sling, inclusive of fittings, from bearing point to bearing point (see Table 1)

### 3.12

#### **effective working length (EWL)**

actual finished length of the flat woven webbing sling, inclusive of fittings, from bearing point to bearing point (see 5.7)

### 3.13

#### **working load limit (WLL)**

maximum mass which the sewn webbing component of a flat woven webbing sling is designed to sustain in straight pull and which a sling or sling assembly is authorized to sustain in general lifting service (see Table 3)

### 3.14

#### **mode factor (*M*)**

factor applied to the WLL of a flat woven webbing sling in order to arrive at the WLL of a sling or sling assembly for a given mode of assembly or use



### 3.15

#### competent person

designated person, suitably trained and qualified by knowledge and practical experience, and with the necessary instructions to enable the required tests and examination to be carried out

NOTE 4.18 of EN ISO 9002:1994 gives guidance on training.

## 4 Hazards

The accidental release of a load, or release of a load due to failure of a component puts at risk, either directly or indirectly, the safety or health of those persons within the danger zone. In order to provide the necessary strength and durability of lifting accessories this part of EN 1492 specifies requirements for the design, manufacture and testing to ensure the specified levels of performance are met.

Endurance has not been identified as a hazard when flat woven webbing slings having the specified levels of performance given in this part of EN 1492 are used in general lifting service.

Since failure can be caused by the incorrect choice of WLL and specification of lifting accessory this part of EN 1492 also gives the requirements for marking and the manufacturer's certificate.

Aspects of safe use associated with good practice are given in annex B (normative) and annex D (informative).

Table 1 lists those hazards in so far as they are dealt with in this standard that require action to reduce those risks identified by risk assessment as being specific and significant for flat woven webbing slings made of polyamide, polyester and polypropylene.

**Table 1 - Hazards and associated requirements**

Hazards identified in annex A of EN 1050:1996		Relevant clause of annex A of EN 292-2:1991/A1:1995	Relevant clause/subclause of this part of EN 1492
1.e)	Mechanical hazard due to inadequacy of strength	1.3.2	5
		4.1.2.3	5
		4.1.2.5	5
		4.2.4	6
		1.7.3	7
		4.3.2	7
		4.2.4	8
15	Errors of fitting hazard	1.5.4	5
17	Falling or ejected objects hazard	1.3.3	annex B
26	Insufficient instructions for the driver/operator	1.7.4	9, annex B
		4.4.1	9, annex B
27.1.5	Inadequate holding devices/accessories hazard	4.4.1	5.14
27.6	Inadequate selection of lifting accessories hazard	4.1.2.5	5.14 and 6
		4.3.2	7

## 5 Safety requirements

### 5.1 Materials

The webbing shall be woven wholly from industrial yarns and certified by the manufacturer as being fast to light and heat-stabilized with a tenacity of not less than 60 cN/tex, from one of the following materials:

- polyamide (PA), high tenacity multi-filament;
- polyester (PES), high tenacity multi-filament;
- polypropylene (PP), high tenacity multi-filament.

NOTE 1 The definitions for these are given in ISO 2076. The content of the constituent materials may be determined in accordance with ISO 1833.

NOTE 2 Attention is drawn to the different resistance of man-made fibres to chemicals, which are summarized in annex D.

### 5.2 Weaving

All yarns shall be of identical parent material (see 5.1).

Whether it is conventional or shuttleless woven, the webbing shall be woven with multiple piles, uniformly woven and the edges such that when one of the yarns breaks during weaving the ends cannot be pulled from the webbing causing it to unpick.

The method of weaving shall be such that the width of the finished sling changes by no more than -10 % for widths less than or equal to 100 mm, and -12 % for widths over 100 mm, when a sample is tested in accordance with annex A.

### 5.3 Width

The width of the woven webbing,  $b$  (see Figure 1), shall not be less than 25 mm and shall not exceed 450 mm and when measured with a steel tape or rule graduated in increments of 1 mm, shall have the following tolerances:

- a)  $\pm 10$  % for nominal widths less than or equal to 100 mm;
- b)  $\pm 8$  % for nominal widths greater than 100 mm.

### 5.4 Webbing thickness and sling thickness

For single layer flat woven webbing slings, the loadbearing element of the sling shall have a minimum thickness of 2 mm exclusive of any finishes or cast-on features. For multi-layer slings, the webbing used to provide each layer of the loadbearing element of the sling shall have a minimum thickness of 1,2 mm.

The thickness,  $s_1$  (see Figure 1), shall be measured in accordance with ISO 5084.

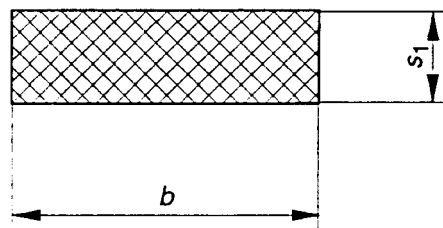


Figure 1 - Webbing width and thickness

## 5.5 Finishing and other treatments

The webbing forming the sewn webbing component shall be coloured (see 5.11).

The sewn webbing component shall be treated to produce a closed surface.

NOTE These treatments inhibit abrasion and the ingress of abrasive materials and may be applied to the webbing and/or the sewn webbing component and/or the yarn.

## 5.6 Sling types and designation

Endless flat woven webbing slings, type A, shall be made from 1 or 2 webbing layers. Single flat woven webbing slings with soft eyes, type B, and single flat woven webbing slings with metal fittings, type C, and/or reeveable fittings, type Cr, shall be made from 1, 2, 3 or 4 layers. The designation shall give the type letter and number of layers, e.g. A2 (see Table 2).

## 5.7 Effective working length (EWL)

The effective working length (EWL),  $l_1$ , of a flat woven webbing sling (see Table 2) shall not differ from the nominal length by more than 3 % of the nominal length, when laid flat and measured with a steel tape or rule graduated in increments of 1 mm.

## 5.8 Sewing of slings

**5.8.1** All seams shall be made from thread of identical parent material (see 5.1) as the webbing and shall be made with a locking stitch machine.

Stitches shall not touch or affect the edges of the webbing except those which secure the eye durability reinforcement.



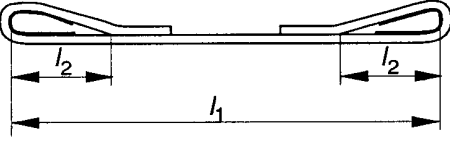
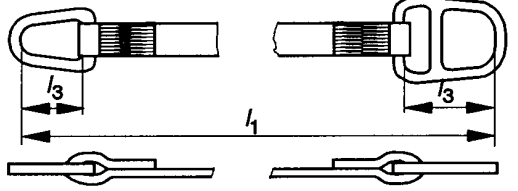
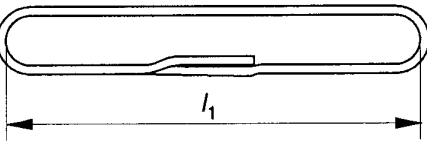
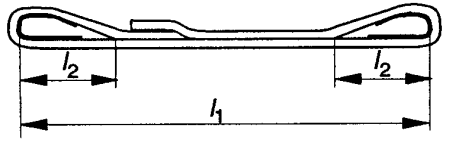
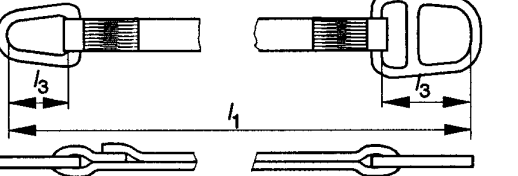
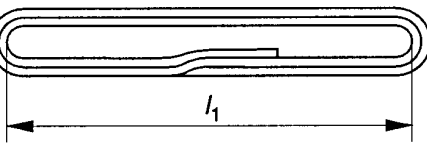
NOTE The use of a different colour thread to that of the rest of the sling will facilitate inspection during the manufacturer's verification and in-service inspections by the user.

**5.8.2** The stitches of the seam shall traverse the parts of the webbing to be sewn together, and the stitching shall lay flat and not have loops above the surface of the webbing.

**5.8.3** The ends of cut webbing shall be treated in such a way (e.g. fused by heating) as to prevent unravelling. Treatment of cut ends by heating shall not damage adjacent stitching, and heat-treated ends shall not be oversewn.

NOTE Where the webbing has been impregnated to prevent thread slippage, further treatment is not necessary, in which case the ends may be oversewn.

**Table 2 - Summary and type designation of main types of flat woven webbing slings**

Form	A - endless	B - single sling with reinforced eyes	C - single sling with fittings Cr - single sling with reeveable fittings	
Load bearing webbing parts				
Single load bearing part		single layer sling with reinforced eyes B1 	single layer sling with fittings C1 Cr1 	
Two load bearing parts	single layer sling A2 	two layer sling with reinforced eyes B2 	two layer sling with fittings C2 Cr2 	
Four load bearing parts	two layer sling A4 			

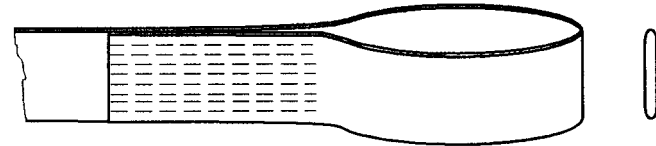
Note The table of sling types illustrated is not exhaustive.

## 5.9 Soft eyes

The inside length,  $l_2$ , of the eyes (see Table 2), when measured flat using a steel tape or rule graduated in increments of 1 mm, shall be of the following minimum dimensions:

- a) three times the width of the webbing for width of up to 150 mm;
- b) two and a half times the width of the webbing for widths greater than 150 mm.

NOTE The preferred types of soft eye formation are illustrated in Figure 2.



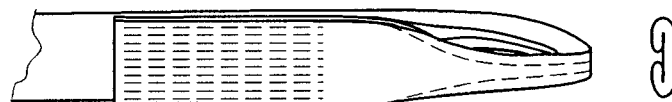
1) Flat eye



2) Reversed eye



3) Folded eye 1/2 width from one side



4) Folded eye 1/2 width from two sides



5) Folded eye 1/3 width

Note 1 Folded eyes are produced by folding the parts of the webbing that form the eye onto each other to narrow the profile of engagement. The two edges are sewn together or to the webbing itself.

Note 2 Folded eyes may also be reversed.

Note 3 The eye types illustrated are not exhaustive.

Note 4 For reasons of clarity, eye reinforcement has been omitted from the illustrations, it is however a requirement of this standard that soft eyes are reinforced (see 5.10).

**Figure 2 - Preferred soft eye types**

### **5.10 Reinforcement of soft eyes**

Soft eyes shall be reinforced to protect the inner surface of the eye against damage during lifting and at the point of choking in a choked lift.

NOTE Examples of suitable reinforcing material are a sleeve or piece of webbing or leather or other durable material.

### **5.11 Colour coding**

The colour code of the sewn webbing component shall be as given in Table 3 to indicate its WLL. Sewn webbing components of any other nominal working load limits, not indicated in Table 3, shall not be denoted with the colours indicated therein.

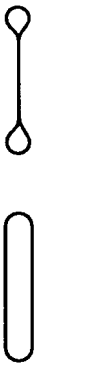


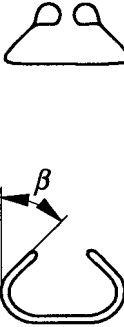
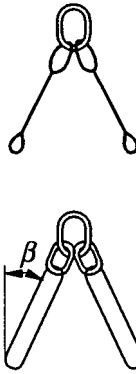
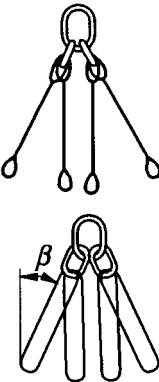
### **5.12 Working load limits**

The WLL of a flat woven webbing sling, or sling assembly, shall be derived from the WLL of the sewn webbing component multiplied by the appropriate mode factor,  $M$ , in accordance with Table 3.

### **5.13 Failure force**

The minimum failure force for the sewn webbing component shall be such that it will sustain a force equivalent to 7 times the WLL when tested in accordance with annex A. It shall not be pre-loaded prior to testing, unless all sewn webbing components of the same type are subjected to identical pre-loading.

Table 3 -Working load limits and colour codes

WLL of sewn webbing component	Colour of sewn webbing component	Working load limits in tonnes								
		Straight lift	Choked lift	Basket hitch		Two leg sling		Three and four leg slings		
										
				Parallel	$\beta = 0 \text{ to } 45^\circ$	$\beta = 45^\circ \text{ to } 60^\circ$	$\beta = 0 \text{ to } 45^\circ$	$\beta = 45^\circ \text{ to } 60^\circ$	$\beta = 0 \text{ to } 45^\circ$	$\beta = 45^\circ \text{ to } 60^\circ$
		<i>M</i> = 1	<i>M</i> = 0,8	<i>M</i> = 2	<i>M</i> = 1,4	<i>M</i> = 1	<i>M</i> = 1,4	<i>M</i> = 1	<i>M</i> = 2,1	<i>M</i> = 1,5
1,0	Violet	1,0	0,8	2,0	1,4	1,0	1,4	1,0	2,1	1,5
2,0	Green	2,0	1,6	4,0	2,8	2,0	2,8	2,0	4,2	3,0
3,0	Yellow	3,0	2,4	6,0	4,2	3,0	4,2	3,0	6,3	4,5
4,0	Grey	4,0	3,2	8,0	5,6	4,0	5,6	4,0	8,4	6,0
5,0	Red	5,0	4,0	10,0	7,0	5,0	7,0	5,0	10,5	7,5
6,0	Brown	6,0	4,8	12,0	8,4	6,0	8,4	6,0	12,6	9,0
8,0	Blue	8,0	6,4	16,0	11,2	8,0	11,2	8,0	16,8	12,0
10,0	Orange	10,0	8,0	20,0	14,0	10,0	14,0	10,0	21	15,0
Over 10,0	Orange									

*M* = Mode factor for symmetrical loading. Handling tolerance for slings or parts of slings indicated as vertical = 6°.

### **5.14 Fittings supplied as part of a sling**

**5.14.1** Fittings shall conform to the appropriate part or parts of prEN 1677:2000 (for Parts 1 and 2) and of prEN 1677:1998 (for Parts 3, 4, 5 and 6).

**5.14.2** The seating of a fitting in contact with the webbing shall be so finished that, when tested in accordance with annex A:

- a) there shall be no damage to the area of webbing in contact with the fitting;
- b) the sling shall sustain the load.

**5.14.3** Welded fittings shall be placed so that the welds remain visible when the sling is in use.

### **5.15 Reinforcements and protection against damage from edges and/or abrasion**

**5.15.1** Durability reinforcement, where provided, shall be cast onto the webbing, or in the form of a piece of reinforcing material or sleeve which shall be sewn to the webbing.

**5.15.2** Protective sleeves, where provided, shall be of tubular form such that they are free to enable them to be positioned over the part of the sewn webbing component which is to be protected.

NOTE Examples of suitable reinforcing and protection materials are webbing, woven fabric, leather or other durable material.

### **5.16 Traceability code**

The traceability code, which is to be included in the marking (see 7.1), shall enable at least the following basic elements of the manufacturing record to be traced:

- a) identification of webbing;
- b) identification of manufacturer's control;
- c) identification and grade of fittings.

## **6 Verification of safety requirements**

### **6.1 Qualification of personnel**

All testing and examination shall be carried out by a competent person.

### **6.2 Type tests**

**6.2.1** The first representative sling of each type or construction, including change of material, shall be tested to verify the WLL. The test shall be in accordance with A.3.

If, during testing, the sewn webbing component does not sustain a force equivalent to seven times the WLL, but sustains a load of not less than 90 % of this force, three further samples of the same type shall be tested. If one or more of these samples does not sustain a force equivalent to seven times the WLL, slings of this type shall be deemed not to comply with this standard.

**6.2.2** A representative sewn webbing component of each type intended for use with fittings, sling types C/Cr, shall be tested to verify the interaction of the sewn webbing component with fittings. The test shall be in accordance with A.4.

If, during testing, the sewn webbing component fails to sustain a force equivalent to 5 times its WLL, but sustains a load of not less than 90 % of this force, three further samples of the same type shall be tested. If one or more of these samples does not sustain a force equivalent to 5 times the WLL of the sewn webbing component, slings of this type shall be deemed not to comply with this standard.



## 6.3 Manufacturing test regime

### 6.3.1 General

The manufacturing test regime shall depend on whether the manufacturer has a quality system conforming to EN ISO 9002, certified by a certification body accredited to EN 45012.

NOTE A quality system conforming to EN ISO 9001 automatically conforms to EN ISO 9002.

If such a system is in place and operating, the manufacturer's test regime shall comply with 6.3.2. If no such system is in place or operating, the manufacturer's test regime shall comply with 6.3.3.

### 6.3.2 Manufacturing test when quality system conforming to EN ISO 9002 is in place

If a quality system conforming to EN ISO 9002 is in place, during the manufacture, slings shall be selected for testing at least at the intervals given in Table 4 or every 2 years, whichever is the sooner. The selected slings shall be tested to verify the WLL in accordance with A.3.

**Table 4 - Maximum testing intervals**

WLL of sewn webbing component	Maximum quantity per type between tests
Up to and including 3 t	1 000
Over 3 t	500

If, during testing, the sewn webbing component does not sustain a force equivalent to seven times the WLL, but sustains a load of not less than 90 % of this force, three further samples shall be tested. If one or more of these samples does not sustain a force equivalent to seven times the WLL, slings of this type shall be deemed not to comply with this standard.

### 6.3.3 Manufacturing test when quality system conforming to EN ISO 9002 is not in place

If a quality system conforming to EN ISO 9002 is not in place, during the manufacture, slings shall be selected for testing at least at the intervals given in Table 5 or every 12 months, whichever is the sooner. The selected slings shall be tested to verify the WLL in accordance with A.3.

**Table 5 - Maximum testing intervals**

WLL of sewn webbing component	Maximum quantity per type between tests
Up to and including 3 t	500
Over 3 t	250

If, during testing, the sewn webbing component does not sustain a force equivalent to seven times the WLL, but sustains a load of not less than 90 % of this force, three further samples shall be tested. If one or more of these samples does not sustain a force equivalent to seven times the WLL, slings of this type shall be deemed not to comply with this standard.

## 6.4 Visual and manual examination

Each completed sling or sling assembly shall be visually and manually examined including measurement of the principal dimensions. If any non-compliance with the safety requirements or if any defect is found, the sling shall be rejected.

## 6.5 Test and examination records

The manufacturer shall retain a record of the results of all tests and examinations for inspection and reference purposes.

## 7 Marking

### 7.1 General

The marking of the sling shall include at least the following:

- a) the working load limit, in straight lift;
- b) the material of the webbing, i.e. polyester, polyamide, polypropylene;
- c) grade of fitting;
- d) the nominal length, in m;
- e) the manufacturer's name, symbol, trade mark or other unambiguous identification;
- f) the traceability code (see 5.16);
- g) the number and relevant part of this European Standard.

NOTE Marking this European Standard number on or in relation to a product represents a manufacturer's declaration of conformity, i.e. a claim by or on behalf of the manufacturer that the product meets the requirements of the standard. Such a declaration is not to be confused with third-party certification of conformity.

### 7.2 Sling types A, B, C and Cr

**7.2.1** The information shall be marked (in accordance with 7.1) both legibly and indelibly, on a durable label fixed directly onto the webbing. It shall be marked in a type size of not less than 1,5 mm in height. A section of the label shall be enclosed under the stitching which shall also be marked with this information for reference purposes. A typical label is shown in Figure 3, and Figures 4, 5 and 6 show typical methods of the attachment of labels to the various sling types.

**7.2.2** The material from which the webbing is made shall be identified by the colour of the label itself on which the information is marked. The following label colours shall be used.

- |                 |       |
|-----------------|-------|
| - Polyamide     | green |
| - Polyester     | blue  |
| - Polypropylene | brown |

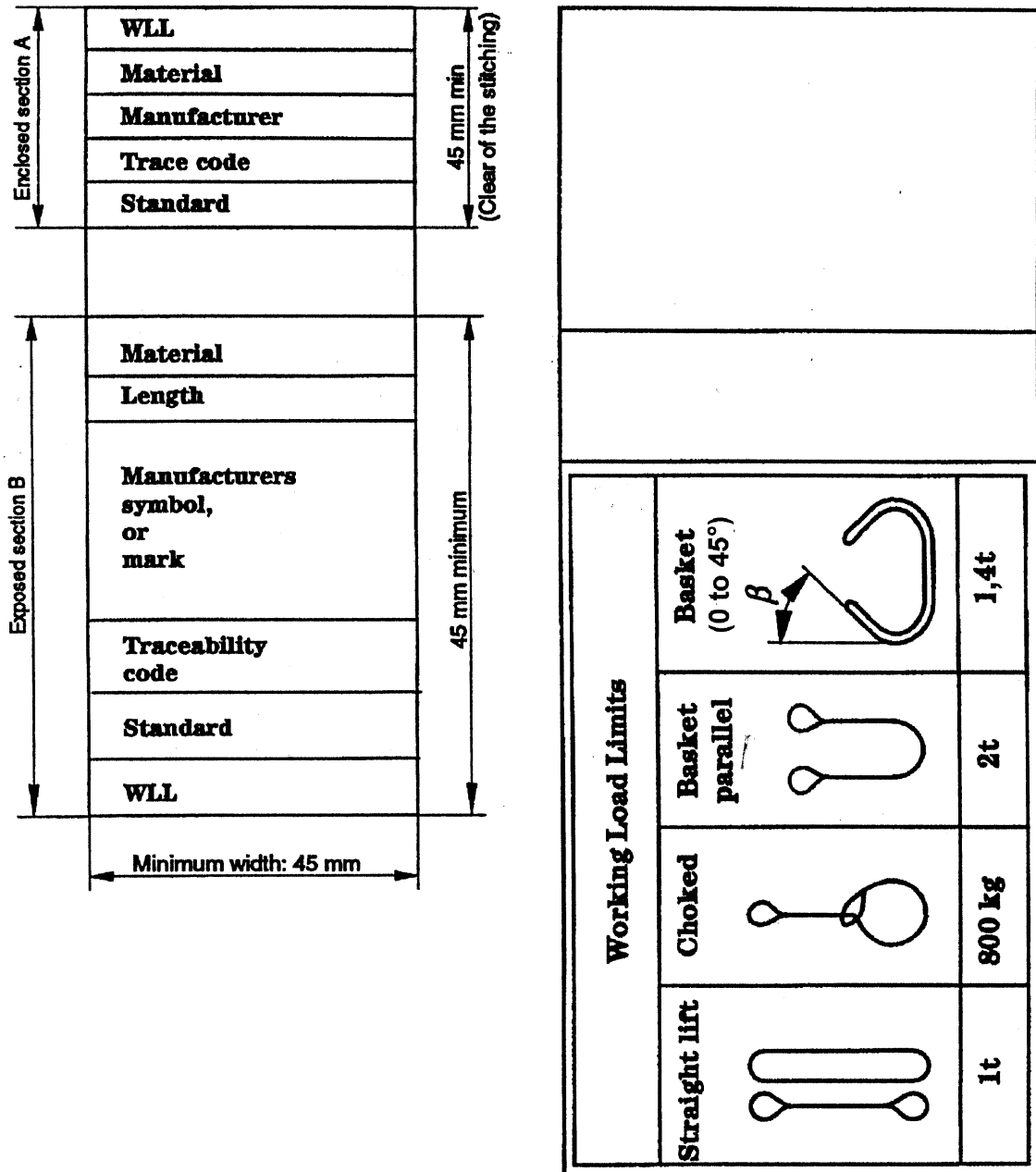


Figure 3 - Typical label format

NOTE 1 The reverse side of the exposed part of the label may additionally be marked with the WLLs of the sling in various modes of use.

NOTE 2 Typical methods for label attachment are shown in Figures 4 to 6.

NOTE 3 The legal marking (CE for the EU) can be marked at any visible place on the label.

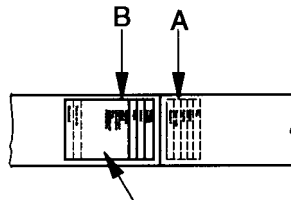


Figure 4 - Typical attachment of label on an endless sling

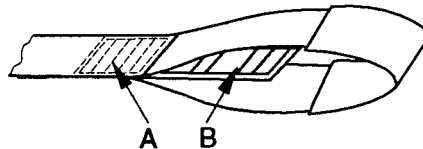


Figure 5 - Typical attachment of label on a single sling

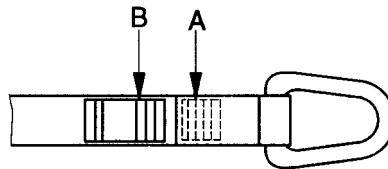


Figure 6 - Typical attachment of label on a sling with fittings

### 7.3 Marking for multi-leg sling assemblies

The following requirements shall apply to 2 leg, 3 leg or 4 leg sling assemblies:

- a) the marking shall be on a readily-identifiable form of durable label (e.g. a round tag) which shall be attached to the master link to differentiate from other sling types;
- b) the marking of the sling shall include the maximum angle of use of any leg to the vertical;
- c) the label on each leg shall not show the WLL.

## 8 Manufacturer's certificate

After all testing and examination, as specified in clause 6, the manufacturer shall issue to the purchaser, for each batch of slings delivered, a certificate which shall include at least the following information:

- a) the manufacturer's name and address, symbol or mark;
- b) WLL of the sling, and for multi-leg sling assemblies the range of angles to the vertical;
- c) type, including eye, fitting, number of legs, nominal length and width;
- d) the expression 'flat woven webbing sling' or 'flat woven sling assembly';
- e) material of the webbing;

- f) grade of fitting;
- g) if fitted, details of reinforcements and protection against damage from edges and/or abrasion;
- h) the number of this European Standard, i.e. EN 1492-1;
- i) test references (see clause 6);
- j) traceability code;
- k) identity of the person authorized to sign the certificate on behalf of the manufacturer and date of signature.

NOTE Items b) to h) inclusive form the designation of the sling or sling assembly.

## 9 Instructions for use

Instructions for use shall accompany each sling or each delivery of slings supplied with a single order and shall conform to annex B.

## Annex A (normative)

### Methods of test to verify safety requirements

#### A.1 General

**A.1.1** All testing and examination shall be carried out using a tensile test machine conforming to the requirements of class 1 of EN 10002-2:1991 and, where applicable, a steel tape or rule graduated in increments of 1 mm.

**A.1.2** During load tests, the force shall be applied to the representative sewn webbing component so that the elongation of the specimen takes place at a maximum rate of 110 mm/min per 1 000 mm length of the specimen.

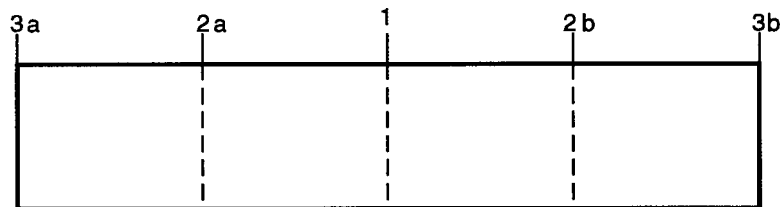
**A.1.3** The representative sewn webbing component shall not be pre-loaded prior to testing, unless all of the sewn webbing components of that type are subject to identical pre-loading, in which case they shall not be pre-loaded to more than two times the WLL.

**WARNING** During load test procedures, considerable energy is stored in the webbing under tension. If the sample breaks, this energy will be suddenly released. Suitable precautions should therefore be taken to protect persons in the danger zone.

#### A.2 Test to determine the change in webbing width under load

**A.2.1** A representative sewn webbing component shall be mounted in the test machine and arranged so that it is under no load, but forms a gentle catenary.

**A.2.2** A mark shall be placed across the face of the webbing, normal to the longitudinal axis, at the mid-point of the specimen. A further mark shall be placed each side of the centre mark mid way between the central mark and bearing point of the sewn webbing component, thus dividing it into four parts of equal length (see Figure A.1).



- 1 - Mid point
- 2 - Dividing marks
- 3 - Bearing point of sewn webbing component

**Figure A.1 - Position of marking to divide sewn webbing component into four equal parts**

**A.2.3** The width of the webbing shall be measured at each of the marks to the nearest millimetre, and each of these measurements shall be recorded as  $W_1$ .

**A.2.4** The sewn webbing component shall then be subjected to a force equivalent to twice its WLL.

**A.2.5** Whilst this force is maintained the width of the webbing shall be measured at each of the marks to the nearest millimetre, and each of these measurements shall be recorded as  $W_2$ .

**A.2.6** The change in dimension at each of the three locations shall be calculated and expressed as a percentage using the formula  $[(W_2 - W_1) / W_1] \times 100$ .

**A.2.7** The webbing shall be rejected if, at any one of the measured points, there is a decrease in its width of more than –10 % for webbings of nominal width less than or equal to 100 mm, and –12 % for webbings of nominal width over 100 mm.

### **A.3 Test to verify the WLL of a sewn webbing component**

#### **A.3.1 Endless sewn webbing components, sling type A**

A representative sling or sewn webbing component shall be mounted, straight and without twist, between the pins or bollards of the test machine. The joining seam shall be kept clear of the pins or bollards. The diameter of the pins or bollards is arbitrary. The specimen shall be subjected to a force equivalent to not less than 7 times the WLL of the sewn webbing component.

#### **A.3.2 Single sewn webbing components, sling type B**

A representative sling or sewn webbing component shall be mounted, straight and without twist, between the pins or bollards of the test machine. The diameter of the pins or bollards shall be such that the included angle of the eyes of the specimen is not less than 10° nor greater than 20°. The specimen shall be subjected to a force equivalent to not less than 7 times the WLL of the sewn webbing component.

#### **A.3.3. Acceptance criteria**

**A.3.3.1** If the representative sewn webbing component sustains the force equivalent to 7 times the WLL of the sewn webbing component, the specimen shall have passed the test. Testing beyond this force is not required.

**A.3.3.2** If the representative sewn webbing component fails to sustain the force equivalent to 7 times the WLL of the sewn webbing component, the specimen shall have failed the test. Further sample testing shall only be carried out if the requirements of 6.2.1, 6.3.2 or 6.3.3 are met.

#### **A.3.4 Manufacturer's record**

The results of the test, i.e. whether the representative sewn webbing component was accepted or rejected, shall be recorded for the purposes of the manufacturer's record.

### **A.4 Type test for verifying the interaction of the sewn webbing component with fittings for slings type C/Cr**

**A.4.1** A representative sewn webbing component, of the type intended for use with fittings, sling types C/Cr, shall be sewn to a suitably designed test fitting, representing the smallest profile of engagement of the range of fittings (see informative annex C).

**A.4.2** The specimen shall be mounted, straight and without twist, between the pins or bollards of the test machine. The contact radius of the pin or bollard shall be such that it supports the representative fitting over sufficient area so as to prevent the fitting from distorting or twisting whilst under test. The specimen shall be submitted to a force equivalent to 5 times the WLL of the sewn webbing component.

#### **A.4.3 Acceptance criteria**

**A.4.3.1** If the sewn webbing component sustains a force equivalent to 5 times its WLL, it shall have passed the test.

**A.4.3.2** If the representative sewn webbing component fails to sustain the force equivalent to 5 times its WLL, the specimen shall have failed the test. Further sample testing shall only be carried out if the requirements of 6.2.2 are met.

#### **A.4.4 Manufacturer's record**

The results of the test, i.e. whether the representative sewn webbing component was accepted or rejected, shall be recorded for the purposes of the manufacturer's record.

## **Annex B (normative)**

### **Information for use and maintenance to be provided by the manufacturer**

#### **B.1 Scope**

This annex gives guidance to the manufacturer as to the information on use and maintenance which shall be provided with flat woven webbing slings conforming to this part of EN 1492.

NOTE Annex D is informative and provides some detailed information for use and maintenance which may be appropriate.

#### **B.2 General**

The manufacturer of flat woven webbing slings shall provide documented information, covering the subjects listed below, with each commercially indivisible batch of slings (see clause 9). Informative annex D contains guidance to assist the manufacturer in the preparation of this information.

#### **B.3 Limitations on the use of the sling due to environmental conditions or hazardous applications (see D.1):**

- a) Selective material resistance to chemicals
- b) Restrictions due to temperature
- c) susceptibility to cutting and abrasion
- d) degradation due to ultra-violet radiation

#### **B.4 Before putting the sling into first use (see D.2.1):**

- a) availability of manufacturer's certificate;
- b) availability of instruction and training.

#### **B.5 Before each use/period of use (see D.2.2 and D.2.3):**

- a) inspection procedure;
- b) presence of label and legibility of marking;
- c) withdrawal criteria.

#### **B.6 Selection and use of flat woven webbing slings (see D.3):**

- a) determination of the mass of the load, its centre of gravity, attachment points and proposed method of attachment;
- b) observance of the marked WLL(s) and mode factors. In the case of multi-leg slings, this will include restrictions on angle of sling legs;
- c) attachment of sling to hook of lifting machine;
- d) attachment of sling to load: direct attachment, choke hitch, basket hitch, special fittings, other lifting accessories;
- e) protection of sling and load;
- f) controlling rotation of the load;
- g) ensuring an even balance of the load, avoidance of shortening sling legs, e.g. by twisting, knotting, etc.;
- h) shock loading;
- i) safety of personnel;



- j) clamping force;
- k) preparation of landing site;
- l) detachment of sling;
- m) correct storage of sling.

**B.7 Periodic thorough examination and maintenance:**

- a) withdrawal criteria including missing/damaged label or illegible marking;
- b) records of examination.

## **Annex C (informative)**

### **Guidance to the manufacturer for the conduct of type testing to verify the interaction of the sewn webbing component with fittings for sling type C/Cr in accordance with A.4**

**C.1** This test is intended to verify that the WLL of the sewn webbing component is not adversely affected by its interaction with the smallest profile of engagement of the fittings which it will meet in service.

**C.2** As the cutting effect, commonly referred to as the blunt knife effect, is lessened as the profile of engagement is increased, it is only necessary to make the test against the smallest profile of engagement.

**C.3** The type test is not therefore required to be repeated if fittings with a larger profile of engagement are fitted to a sling, if a test record is already available for a similar representative sewn webbing component.

**C.4** In most cases the failure force of the fitting will be lower than that of the sewn webbing component to which it will be attached. A suitably designed test fitting representative of the smallest profile of engagement associated with the particular webbing should therefore be used for the test.

**C.5** The representative fitting may be a suitably designed and manufactured test jig, produced solely for the purpose of conducting the test and capable of re-use. It need not duplicate the actual fitting's shape for attachment to other accessories or lifting appliances provided that the profile of engagement with the sewn webbing component is identical to that of the smallest production fitting used. It may be of greater depth and/or higher grade material, so as to ensure it will not distort or fail under test.

**C.6** The sewn webbing component should be identical to that of the production run. In order to accept the test fitting, the eye of may be of greater depth.

## Annex D (informative)

### Suggested content of information to be provided by the manufacturer with flat woven webbing slings

#### D.1 Use of flat woven webbing slings in adverse conditions or hazardous applications

**D.1.1** The material from which flat webbing slings are manufactured have selective resistance to chemicals. The resistance of man-made fibres to chemicals is summarized below:

- a) polyester (PES) is resistant to most mineral acids but is damaged by alkalis;
- b) polyamides (PA) are virtually immune to the effect of alkalis; however, they are attacked by mineral acids;
- c) polypropylene (PP) is little affected by acids or alkalis and is suitable for applications where the highest resistance to chemicals other than solvents is required.

Solutions of acids or alkalis which are harmless can become sufficiently concentrated by evaporation to cause damage. Contaminated slings should be taken out of service at once, soaked in cold water, dried naturally and referred to a competent person for examination.

Slings with grade 8 fittings and multi-leg slings with grade 8 master links should not be used in acidic conditions. Contact with acids or acidic fumes causes hydrogen embrittlement to grade 8 materials.

If exposure to chemicals is likely, the manufacturer or supplier should be consulted.

**D.1.2** Flat woven webbing slings are suitable for use and storage in the following temperature ranges:

- a) polyester and polyamide:  $-40\text{ }^{\circ}\text{C}$  to  $100\text{ }^{\circ}\text{C}$ ,
- b) polypropylene:  $-40\text{ }^{\circ}\text{C}$  to  $80\text{ }^{\circ}\text{C}$ .

At low temperatures ice formation will take place if moisture is present. This may act as a cutting agent and an abrasive causing internal damage to the sling. Further, ice will lessen the flexibility of the sling, in extreme cases rendering it unserviceable for use.

These ranges vary in a chemical environment, in which case the advice of the manufacturer or supplier should be sought.

Limited indirect ambient heating, within these ranges, is acceptable for drying.

**D.1.3** The man-made fibres from which the webbing is produced are susceptible to degradation if exposed to ultra-violet radiation. Flat woven webbing slings should not be exposed or stored in direct sunlight or sources of ultra-violet radiation.

#### D.2 Inspection of flat woven webbing slings in service

**D.2.1** Before first use of the sling it should be ensured that:

- a) the sling corresponds precisely to that specified on the order;
- b) the manufacturer's certificate is to hand;
- c) the identification and WLL marked on the sling correspond with the information on the certificate.

**D.2.2** Before each use, the sling should be inspected for defects and to ensure that the identification and specification are correct. A sling that is unidentified or defective should never be used, but should be referred to a competent person for examination.

**D.2.3** During the period of use, frequent checks should be made for defects or damage, including damage concealed by soiling, which might affect the continued safe use of the sling. These checks should extend to any fittings and lifting accessories used in association with the sling. If any doubt exists as to the fitness for use, or if any of the required markings have been lost or become illegible, the sling should be removed from service for examination by a competent person.

The following are examples of defects or damage likely to affect the fitness of slings for continued safe use.

- a) Surface chafe. In normal use, some chafing will occur to the surface fibres. This is normal and has little effect. However, the effects are variable and as the process continues, some loss of strength should be expected. Any substantial chafe, particularly localized, should be viewed critically. Local abrasion, as distinct from general wear, can be caused by sharp edges whilst the sling is under tension, and can cause serious loss of strength.
- b) Cuts. Cross or longitudinal cuts, cuts or chafe damage to selvages, cuts to stitching or eyes.
- c) Chemical attack. Chemical attack results in local weakening and softening of the material. This is indicated by flaking of the surface which may be plucked or rubbed off.
- d) Heat or friction damage. This is indicated by the fibres taking on a glazed appearance and in extreme cases, fusion of the fibres can occur.
- e) Damaged or deformed fittings.

### **D.3 Correct selection and use of flat woven webbing slings**

**D.3.1** When selecting and specifying slings made from man-made fibres, consideration should be given to the required working load limit, taking into account the mode of use and the nature of the load to be lifted. The size, shape and weight of the load, together with the intended method of use, working environment and nature of the load, all affect the correct selection.

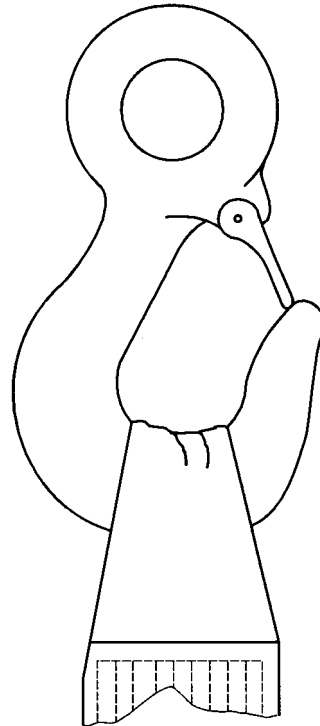
The selected sling should be both strong enough and of the correct length for the mode of use. If more than one sling is used to lift a load, these slings should be identical. The material from which the webbing is made should not be affected adversely by the environment or the load.

Consideration should also be given to ancillary fittings and lifting devices which should be compatible with the sling(s). The termination of the sling should also be considered i.e. whether fittings or soft eyes are required.

**D.3.2** When using slings with soft eyes, the minimum eye length for a sling for use with a hook should be not less than 3,5 times the maximum thickness of the hook and in any event the angle formed in the eye of the sling should not exceed 20°.

When connecting a sling with soft eyes to a lifting appliance, the part of the lifting appliance which bears on the sling should be essentially straight, unless the bearing width of the sling is not more than 75 mm in which case the radius of curvature of the lifting appliance attachment should be at least 0,75 times the bearing width of the sling. Figure D.1 illustrates the problem of accommodating webbing on a hook of radius less than 0,75 times the bearing width of the sling.

Wide webbings may be affected by the radius of the inside of the hook as a result of the curvature of the hook preventing uniform loading across the width of the webbing.



NOTE Eye reinforcement not shown for clarity

**Figure D.1 - Illustration showing inadequate accommodation of a webbing eye on a hook of too small radius**

**D.3.3** Flat woven webbing slings should not be overloaded: the correct mode factor should be used (see Table 3). Working load limits for some modes may be given on the label. In the case of multi-leg slings the maximum angle to the vertical should not be exceeded.

**D.3.4** Good slinging practices should be followed; the slinging, lifting and lowering operations should be planned before commencing the lift.

**D.3.5** Flat woven webbing slings should be correctly positioned and attached to the load in a safe manner. Slings should be placed on the load such that the loading is uniform across their width. They should never be knotted or twisted.

Stitching should never be placed over hooks or other lifting devices: the stitching should always be placed in the standing part of the sling. Damage to labels should be prevented by keeping them away from the load, the hook and the angle of choke.

**D.3.6** In the case of multi-leg slings, the WLL values have been determined on the basis that the loading of the sling assembly is symmetrical. This means that when a load is lifted the sling legs are symmetrically disposed in plan and subtended at the same angle to the vertical.

In the case of 3 leg slings, if the legs are not symmetrically disposed in plan the greatest tension is in the leg where the sum of the plan angles to the adjacent legs is greatest. The same effect occurs in 4 leg slings except that the rigidity of the load should also be taken into account.

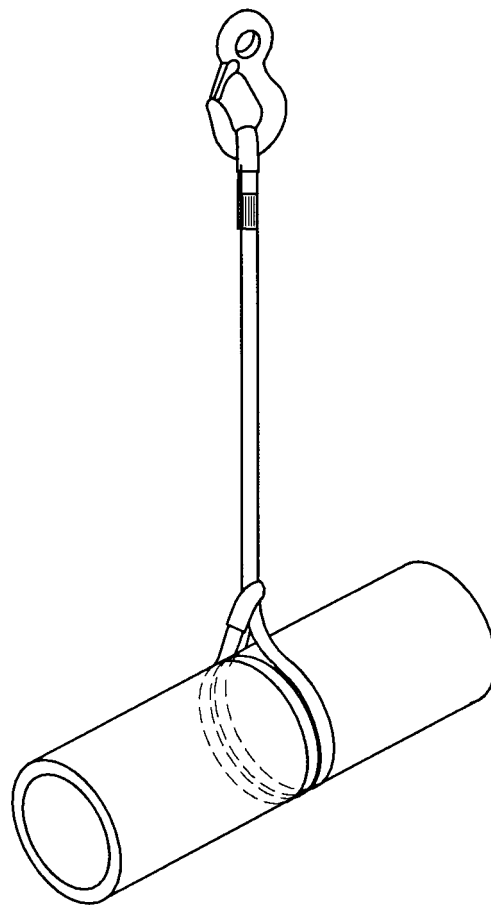
NOTE With a rigid load the majority of the weight may be taken by only three, or even two, of the legs, with the remaining legs only serving to balance the load.

**D.3.7** Slings should be protected from edges, friction and abrasion, whether from the load or the lifting appliance. Where reinforcements and protection against damage from edges and/or abrasion is supplied as part of the sling, this should be correctly positioned. It may be necessary to supplement this with additional protection.

**D.3.8** The load should be secured by the sling(s) in such a manner that it cannot topple or fall out of the sling(s) during the lift. Sling(s) should be arranged so that the point of lift is directly above the centre of gravity and the load is balanced and stable. Movement of the sling over the lifting point is possible if the centre of gravity of the load is not below the lifting point.

When using basket hitch, the load should be secure since there is no gripping action as with choke hitch and the sling can roll through the lifting point. For slings which are used in pairs, the use of a spreader is recommended so that the sling legs hang as vertically as possible and to ensure that the load is equally divided between the legs.

When a sling is used in choke hitch, it should be positioned so as to allow the natural ( $120^\circ$ ) angle to form and avoid heat being generated by friction. A sling should never be forced into position nor an attempt made to tighten the bite. The correct method of securing a load in a double choke hitch is illustrated in Figure D.2. A double choke hitch provides greater security and helps to prevent the load sliding through the sling.



**Figure D.2 - Double choke hitch**

**D.3.9** Care should be taken to ensure the safety of personnel during the lift. Persons in the danger area should be warned that the operation is to take place and, if necessary, evacuated from the immediate area.

Hands and other parts of the body should be kept away from the sling to prevent injury as the slack is taken up.

Reference should also be made to ISO 12480-1 for planning and management of the lifting operation and the adoption of safe systems of working.

**D.3.10** A trial lift should be made. The slack should be taken up until the sling is taut. The load should be raised slightly and a check made that it is secure and assumes the position intended. This is especially important with basket or other loose hitches where friction retains the load.

If the load tends to tilt, it should be lowered and attachments re-positioned. The trial lift should be repeated until the stability of the load is ensured.

**D.3.11** Care should be taken when making the lift to ensure that the load is controlled, e.g. to prevent accidental rotation or collision with other objects.

Snatch or shock loading should be avoided as this will increase the forces acting on the sling.

A load in the sling or the sling itself should not be dragged over the ground or rough surfaces.

**D.3.12** The load should be lowered in an equally controlled manner as when lifted.

Trapping the sling when lowering the load should be avoided. The load should not rest on the sling, if this could cause damage and pulling the sling from beneath the load when the load is resting on it should not be attempted.

**D.3.13** On completion of the lifting operation the sling should be returned to proper storage.

When not in use, slings should be stored in clean, dry and well ventilated conditions, at ambient temperature and on a rack, away from any heat sources, contact with chemicals, fumes, corrodible surfaces, direct sunlight or other sources of ultra-violet radiation.

**D.3.14** Prior to placing in storage, slings should be inspected for any damage which may have occurred during use. Slings should never be returned damaged to storage.

**D.3.15** Where lifting slings have come into contact with acids and/or alkalis, dilution with water or neutralization with suitable media is recommended prior to storage.

Depending on the material of the lifting sling and on the chemicals referred to in D.1.1, it may be necessary in some cases to request from the supplier additional recommendations on the cleaning procedure to be followed after the sling has been used in the presence of chemicals.

**D.3.16** Slings which have become wet in use, or as the result of cleaning, should be hung up and allowed to dry naturally.

#### **D.4 Examination and repair**

Examination periods should be determined by a competent person, taking into account the application, environment, frequency of use and similar matters, but in any event slings should be visually examined at least annually by a competent person to establish their fitness for continued use.

Records of such examinations should be maintained.

Damaged slings should be withdrawn from service. Never attempt to carry out repairs to the slings yourself.

## **Annex Z (informative)**

### **Clauses of this European Standard addressing essential requirements or other provisions of EU-Directives**

This European Standard has been prepared under a Mandate given to CEN by the European Commission and the European Free Trade Association, and with the exception of clause 8 supports the essential requirements of EU Directive 98/37/EC.

**WARNING: Other requirements and other EU Directives may be applicable to the product(s) falling within the scope of this standard.**

Compliance with this standard provides one means of conforming with the specific essential requirements of the Directive concerned and associated with EFTA regulations.

© BSI 09-2000



## Bibliography

Informative reference is made in this document to the following publications.

ISO 1833 (see note 1 to 5.1) Textiles – Binary fibre mixtures – Quantitative chemical analysis.

ISO 2076 (see note 1 to 5.1) Man-made fibres – Generic names.

ISO 12480-1 (see D.3.9) Cranes – Safe use – Part 1: General.

---

---

## **BSI — British Standards Institution**

BSI is the independent national body responsible for preparing British Standards. It presents the UK view on standards in Europe and at the international level. It is incorporated by Royal Charter.

### **Revisions**

British Standards are updated by amendment or revision. Users of British Standards should make sure that they possess the latest amendments or editions.

It is the constant aim of BSI to improve the quality of our products and services. We would be grateful if anyone finding an inaccuracy or ambiguity while using this British Standard would inform the Secretary of the technical committee responsible, the identity of which can be found on the inside front cover. Tel: 020 8996 9000. Fax: 020 8996 7400.

BSI offers members an individual updating service called PLUS which ensures that subscribers automatically receive the latest editions of standards.

### **Buying standards**

Orders for all BSI, international and foreign standards publications should be addressed to Customer Services. Tel: 020 8996 9001. Fax: 020 8996 7001.

In response to orders for international standards, it is BSI policy to supply the BSI implementation of those that have been published as British Standards, unless otherwise requested.

### **Information on standards**

BSI provides a wide range of information on national, European and international standards through its Library and its Technical Help to Exporters Service. Various BSI electronic information services are also available which give details on all its products and services. Contact the Information Centre. Tel: 020 8996 7111. Fax: 020 8996 7048.

Subscribing members of BSI are kept up to date with standards developments and receive substantial discounts on the purchase price of standards. For details of these and other benefits contact Membership Administration. Tel: 020 8996 7002. Fax: 020 8996 7001.

### **Copyright**

Copyright subsists in all BSI publications. BSI also holds the copyright, in the UK, of the publications of the international standardization bodies. Except as permitted under the Copyright, Designs and Patents Act 1988 no extract may be reproduced, stored in a retrieval system or transmitted in any form or by any means – electronic, photocopying, recording or otherwise – without prior written permission from BSI.

This does not preclude the free use, in the course of implementing the standard, of necessary details such as symbols, and size, type or grade designations. If these details are to be used for any other purpose than implementation then the prior written permission of BSI must be obtained.

If permission is granted, the terms may include royalty payments or a licensing agreement. Details and advice can be obtained from the Copyright Manager. Tel: 020 8996 7070.